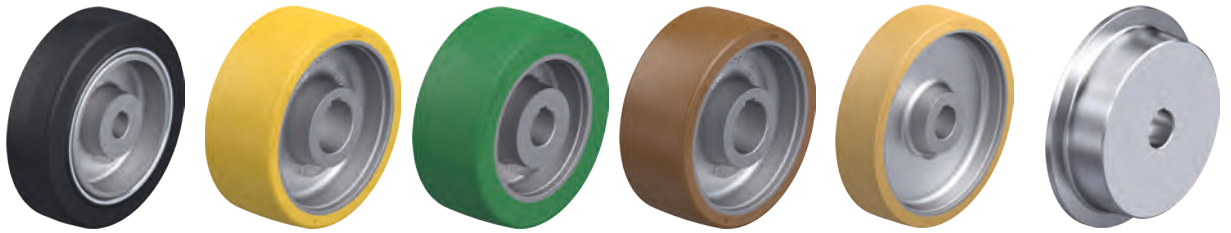


Drive wheels, hub fitting wheels and basic wheels



Selection tool

Drive wheels, hub fitting wheels and basic wheels



Series	GEVN	GTHN	GSTN	GBN	GVUN	SPKVSN
Category	Drive wheel					
Tread / tyre	Elastic solid rubber, drive quality	Polyurethane elastomer Blickle Extrathane®	Polyurethane elastomer Blickle Softthane®	Polyurethane elastomer Blickle Bestthane®	Polyurethane elastomer Vulkollan®	Heat-treatable steel
Tread and tyre hardness	65 Shore A	92 Shore A	75 Shore A	92 Shore A	92 Shore A	190–230 HB
Non-marking	–	✓	✓	✓	✓	✓
Electrical conductivity	–	optional	optional	optional	–	✓
Wheel centre / rim	grey cast iron	grey cast iron	grey cast iron	grey cast iron	grey cast iron	heat-treatable steel
Wheel Ø	160–620 mm	75–1,000 mm	75–500 mm	100–1,000 mm	100–400 mm	200–300 mm
Load capacity up to	4,540 kg	25,000 kg	4,200 kg	25,000 kg	3,400 kg	7,000 kg
Speeds up to	16 km/h	10 km/h	10 km/h	16 km/h	16 km/h	4 km/h
Coefficient of friction μ (on smooth dry concrete)	> 0.6	> 0.25	> 0.3	> 0.25	> 0.25	> 0.15*
Rolling resistance	■ ■ ■ ■ ■	■ ■ ■ ■ ■	■ ■ ■ ■ ■	■ ■ ■ ■ ■	■ ■ ■ ■ ■	■ ■ ■ ■ ■
Smooth operation and floor preservation	■ ■ ■ ■ ■	■ ■ ■ ■ ■	■ ■ ■ ■ ■	■ ■ ■ ■ ■	■ ■ ■ ■ ■	■ ■ ■ ■ ■
For a description of the wheel, refer to	page 540	page 541–542	page 543	page 544–545	page 546	page 547

■ ■ ■ ■ ■ excellent

■ ■ ■ ■ ■ very good

■ ■ ■ ■ good

■ ■ satisfactory

■ sufficient ✓ yes – no

* On smooth steel surface



VULKOLLAN® is a registered trademark of Covestro Group



PA	VLEA	GEVA	GSTA	GBA	VSVU
Hub fitting wheel					Basic wheel
Pneumatic tyre 2–10 ply rating	Super elastic solid rubber *	Elastic solid rubber, smooth rolling quality	Polyurethane elastomer Blickle Softthane®	Polyurethane elastomer Blickle Bestthane®	Polyurethane elastomer Vulkollan®
60 Shore A	70 Shore A	65 Shore A	75 Shore A	92 Shore A	92 Shore A
–	optional	–	✓	✓	✓
–	optional	–	optional	–	–
pressed steel	heavy pressed steel	grey cast iron	grey cast iron	grey cast iron	heat-treatable steel
400–536 mm	405–525 mm	250–620 mm	200–400 mm	200–400 mm	125–300 mm
1,300 kg	1,885 kg	4,540 kg	2,500 kg	3,400 kg	2,400 kg
25 km/h	25 km/h	16 km/h	10 km/h	16 km/h	16 km/h
> 0.6	> 0.6	> 0.6	> 0.3	> 0.25	> 0.25
■ ■ ■ ■ ■	■ ■ ■ ■ ■	■ ■ ■ ■ ■	■ ■ ■ ■ ■	■ ■ ■ ■ ■	■ ■ ■ ■ ■
■ ■ ■ ■ ■	■ ■ ■ ■ ■	■ ■ ■ ■ ■	■ ■ ■ ■ ■	■ ■ ■ ■ ■	■ ■ ■ ■ ■
page 548	page 549	page 550	page 551	page 552	page 553

* 3-component tyres

Made of **VULKOLLAN®** VULKOLLAN® is a registered trademark of Covestro Group

GEVN series

Heavy-duty drive wheels with hub keyway,
with elastic solid rubber tyres,
with cast iron wheel centre



300–4,540 kg

Tread and tyre hardness

65 Shore A

Smooth operation / floor preservation

very good

Rolling resistance

good

Wear resistance

satisfactory

Tyre:

- high-quality elastic solid rubber in drive-quality, hardness 65 Shore A
- with steel-band
- very good operational comfort
- very good floor preservation, low-noise operation
- colour black
- wheel Ø 400 and 500 mm: high-quality elastic solid rubber in smooth rolling quality, steel-wire reinforced, hardness 65 Shore A, low rolling resistance

Wheel centre:

- rugged grey cast iron
- axle bore and hub keyway in accordance with DIN 6885
- lacquered, colour anthracite

Other features:

- chemical resistance to many aggressive substances, except oils
- operating temperature: -30 °C to +80 °C, temporarily up to +100 °C, reduced load capacity over +60 °C
- wheel centre is approximately 4 mm wider than the specified wheel width

Additional details:

- wheel series: page 75
- tread: page 53
- chemical resistance: page 51

Wheels	Wheel Ø (D) [mm]	Wheel width (T2) [mm]	Load capacity at 4 km/h [kg]	Load capacity at 10 km/h [kg]	Load capacity at 16 km/h [kg]	Axle bore Ø (d) [mm]	Hub keyway width (B) [mm]	Hub keyway height (H) [mm]	Hub length (T1) [mm]
GEVN 160/25H7	160	50	300	200	–	25 H7	8 JS9	28.3	60
GEVN 200/25H7	200	50	420	280	–	25 H7	8 JS9	28.3	60
GEVN 200/30H7	200	50	420	280	–	30 H7	8 JS9	33.3	60
GEVN 250/30H7	250	60	630	420	320	30 H7	8 JS9	33.3	60
GEVN 250/40H7	250	60	630	420	320	40 H7	12 JS9	43.3	60
GEVN 252/40H7	250	80	810	540	410	40 H7	12 JS9	43.3	80
GEVN 302/35H7	300	90	1,080	720	540	35 H7	10 JS9	38.3	90
GEVN 360/35H7	360	60	900	600	450	35 H7	10 JS9	38.3	60
GEVN 362/40H7	360	75	1,140	760	570	40 H7	12 JS9	43.3	75
GEVN 400/40H7	400	75	1,080	720	540	40 H7	12 JS9	43.3	75
GEVN 405/50H7	405	130	1,800	1,200	900	50 H7	14 JS9	53.8	130
GEVN 415/50H7	415	75	1,200	800	600	50 H7	14 JS9	53.8	75
GEVN 425/60H7	425	150	2,290	1,570	1,430	60 H7	18 JS9	64.4	150
GEVN 500/40H7	500	85	1,560	1,050	780	40 H7	12 JS9	43.3	90
GEVN 520/50H7	520	100	1,830	1,225	920	50 H7	14 JS9	53.8	100
GEVN 610/80H7	610	150	2,700	1,800	1,350	80 H7	22 JS9	85.4	150
GEVN 620/80H7	620	200	4,540	3,105	2,835	80 H7	22 JS9	85.4	200

Other dimensions available upon request

Versions / options

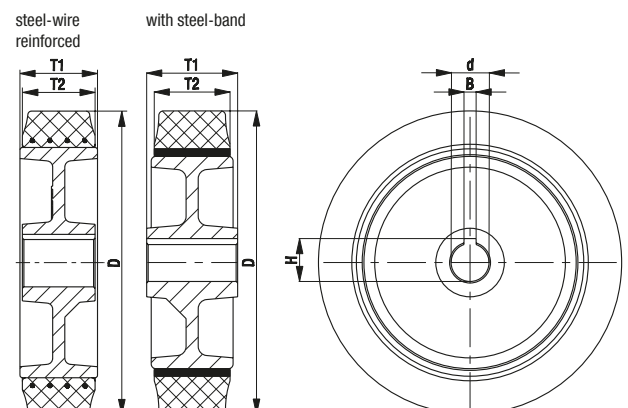


with pressed-on steel band in friction wheel quality

Technical description page

Product code suffix **-STR**

Available for upon request



GTHN series, wheel \varnothing 75–200 mm

Heavy-duty drive wheels with hub keyway with Blickle Extrathane® polyurethane tread, with cast iron wheel centre



300–1,400 kg

Tread and tyre hardness

92 Shore A

Smooth operation / floor preservation

good

Rolling resistance

very good

Wear resistance

excellent



Tread:

- high-quality polyurethane elastomer Blickle Extrathane®, hardness 92 Shore A
- low rolling resistance
- high abrasion resistance
- high cut and tear propagation resistance
- colour light brown, non-marking, non-staining
- excellent chemical connection with the wheel centre

Wheel centre:

- rugged grey cast iron
- axle bore and hub keyway in accordance with DIN 6885
- lacquered, colour silver

Other features:

- high chemical resistance to many aggressive substances
- operating temperature: -30 °C to +70 °C, temporarily up to +90 °C, reduced load capacity over +40 °C

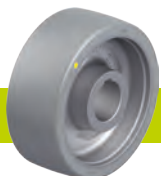
Additional details:

- wheel series: page 75
- tread: page 55
- chemical resistance: page 51

Wheels	Wheel \varnothing (D) [mm]	Wheel width (T2) [mm]	Load capacity at 4 km/h [kg]	Load capacity at 10 km/h [kg]	Axle bore \varnothing (d) [mm]	Hub keyway width (B) [mm]	Hub keyway height (H) [mm]	Hub length (T1) [mm]
GTHN 75/20H7	75	40	300	–	20 H7	6 JS9	22.8	40
GTHN 100/20H7	100	40	400	–	20 H7	6 JS9	22.8	40
GTHN 100/25H7	100	40	400	–	25 H7	8 JS9	28.3	40
GTHN 125/20H7	125	40	450	–	20 H7	6 JS9	22.8	40
GTHN 125/25H7	125	40	450	–	25 H7	8 JS9	28.3	40
GTHN 127/25H7	125	50	650	320	25 H7	8 JS9	28.3	60
GTHN 127/30H7	125	50	650	320	30 H7	8 JS9	33.3	60
GTHN 140/25H7	140	50	670	330	25 H7	8 JS9	28.3	60
GTHN 140/30H7	140	50	670	330	30 H7	8 JS9	33.3	60
GTHN 150/25H7	150	50	700	350	25 H7	8 JS9	28.3	60
GTHN 150/30H7	150	50	700	350	30 H7	8 JS9	33.3	60
GTHN 150/35H7	150	50	700	350	35 H7	10 JS9	38.3	60
GTHN 160/25H7	160	50	700	350	25 H7	8 JS9	28.3	60
GTHN 160/30H7	160	50	700	350	30 H7	8 JS9	33.3	60
GTHN 180/25H7	180	50	850	420	25 H7	8 JS9	28.3	60
GTHN 180/30H7	180	50	850	420	30 H7	8 JS9	33.3	60
GTHN 180/35H7	180	50	850	420	35 H7	10 JS9	38.3	60
GTHN 200/25H7	200	50	900	450	25 H7	8 JS9	28.3	60
GTHN 200/30H7	200	50	900	450	30 H7	8 JS9	33.3	60
GTHN 200/35H7	200	50	900	450	35 H7	10 JS9	38.3	60
GTHN 200/40H7	200	50	900	450	40 H7	12 JS9	43.3	60
GTHN 202/35H7	200	80	1,400	700	35 H7	10 JS9	38.3	80
GTHN 202/40H7	200	80	1,400	700	40 H7	12 JS9	43.3	80
GTHN 202/50H7	200	80	1,400	700	50 H7	14 JS9	53.8	80

For other dimensions, please refer to the next page

Versions / options

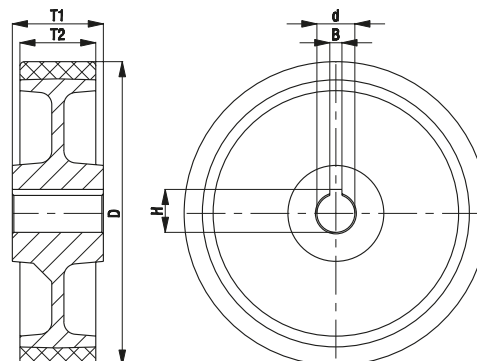


antistatic version,
non-marking grey

Technical description page 50

Product code suffix **-AS**

Available for upon request



GTHN series, wheel \varnothing 250–1,000 mm

Heavy-duty drive wheels with hub keyway with Blickle Extrathane® polyurethane tread, with cast iron wheel centre

1,100–25,000 kg

Tread and tyre hardness

92 Shore A

Smooth operation / floor preservation

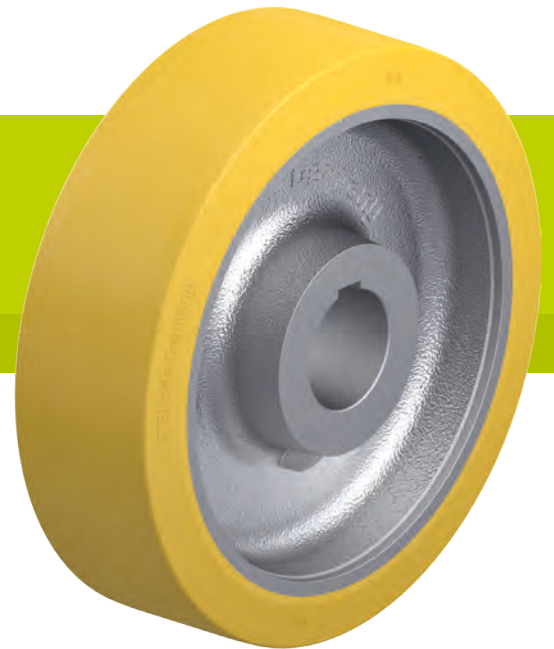
good

Rolling resistance

very good

Wear resistance

excellent



Tread:

- high-quality polyurethane elastomer Blickle Extrathane®, hardness 92 Shore A
- low rolling resistance
- high abrasion resistance
- high cut and tear propagation resistance
- colour light brown, non-marking, non-staining
- excellent chemical connection with the wheel centre

Wheel centre:

- rugged grey cast iron
- axle bore and hub keyway in accordance with DIN 6885
- lacquered, colour silver

Other features:

- high chemical resistance to many aggressive substances
- operating temperature: -30 °C to +70 °C, temporarily up to +90 °C, reduced load capacity over +40 °C

Additional details:

- wheel series: page 75
- tread: page 55
- chemical resistance: page 51

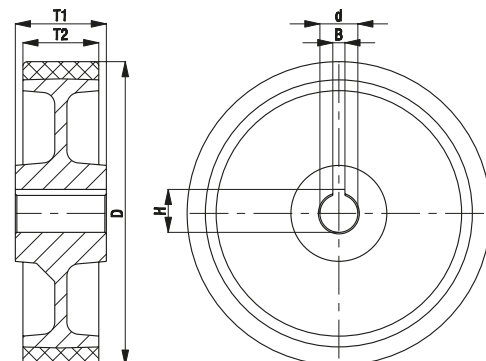
Wheels	Wheel \varnothing (D) [mm]	Wheel width (T2) [mm]	Load capacity at 4 km/h [kg]	Load capacity at 10 km/h [kg]	Axle bore \varnothing (d) [mm]	Hub keyway width (B) [mm]	Hub keyway height (H) [mm]	Hub length (T1) [mm]
GTHN 251/30H7	250	50	1,100	550	30 H7	8 JS9	33.3	60
GTHN 251/40H7	250	50	1,100	550	40 H7	12 JS9	43.3	60
GTHN 252/40H7	250	80	1,800	900	40 H7	12 JS9	43.3	80
GTHN 252/50H7	250	80	1,800	900	50 H7	14 JS9	53.8	80
GTHN 253/40H7	250	100	2,300	1,150	40 H7	12 JS9	43.3	100
GTHN 253/50H7	250	100	2,300	1,150	50 H7	14 JS9	53.8	100
GTHN 300/40H7	300	60	1,500	750	40 H7	12 JS9	43.3	60
GTHN 300/50H7	300	60	1,500	750	50 H7	14 JS9	53.8	60
GTHN 302/40H7	300	80	2,100	1,050	40 H7	12 JS9	43.3	80
GTHN 302/50H7	300	80	2,100	1,050	50 H7	14 JS9	53.8	80
GTHN 304/40H7	300	100	2,700	1,350	40 H7	12 JS9	43.3	100
GTHN 304/50H7	300	100	2,700	1,350	50 H7	14 JS9	53.8	100
GTHN 304/60H7	300	100	2,700	1,350	60 H7	18 JS9	64.4	100
GTHN 362/40H7	360	75	2,200	1,100	40 H7	12 JS9	43.3	75
GTHN 362/50H7	360	75	2,200	1,100	50 H7	14 JS9	53.8	75
GTHN 362/60H7	360	75	2,200	1,100	60 H7	18 JS9	64.4	75
GTHN 402/50H7	400	80	2,800	1,400	50 H7	14 JS9	53.8	80
GTHN 402/60H7	400	80	2,800	1,400	60 H7	18 JS9	64.4	80
GTHN 404/60H7	400	100	3,400	1,700	60 H7	18 JS9	64.4	100
GTHN 404/70H7	400	100	3,400	1,700	70 H7	20 JS9	74.9	100
GTHN 406/70H7	400	125	4,500	2,250	70 H7	20 JS9	74.9	125
GTHN 406/80H7	400	125	4,500	2,250	80 H7	22 JS9	85.4	125
GTHN 500/80H7	500	100	4,500	2,250	80 H7	22 JS9	85.4	100
GTHN 504/100H7	500	150	6,700	3,350	100 H7	28 JS9	106.4	150
GTHN 506/120H7	500	200	9,000	4,500	120 H7	32 JS9	127.4	200
GTHN 602/120H7	600	150	8,000	4,000	120 H7	32 JS9	127.4	150
GTHN 604/120H7	600	200	10,000	5,000	120 H7	32 JS9	127.4	200
GTHN 750/150H7	750	200	12,500	6,250	150 H7	36 JS9	158.4	200
GTHN 1000/250H7	1,000	300	25,000	12,500	250 H7	56 JS9	262.4	300



antistatic version, non-marking grey

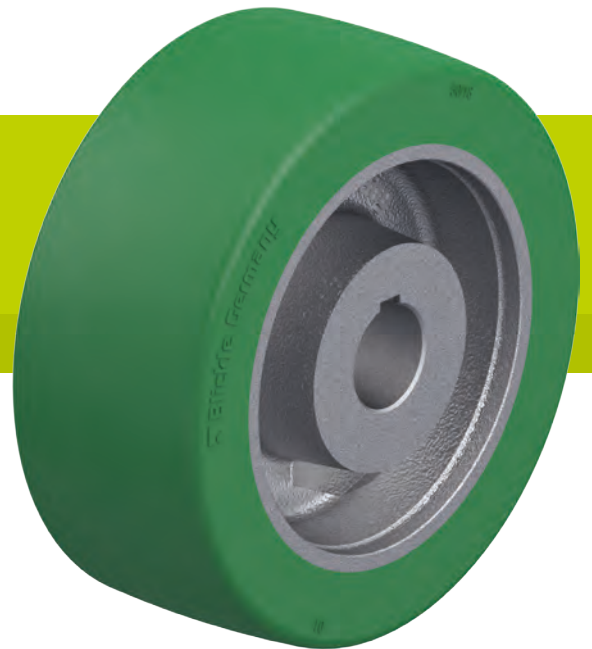
Versions / options

Technical description page	50
Product code suffix	-AS
Available for	upon request



GSTN series

Heavy-duty drive wheels with hub keyway with Blickle Softhane® polyurethane tread, with cast iron wheel centre



200–4,200 kg

Tread and tyre hardness
 75 Shore A

Smooth operation / floor preservation
 very good

Rolling resistance
 very good

Wear resistance
 very good



Tread:

- high-quality polyurethane elastomer Blickle Softhane®, hardness 75 Shore A
- extra-thick elastic tread for excellent operational comfort
- very good floor preservation, low-noise operation
- low rolling resistance
- high abrasion resistance
- high cut and tear propagation resistance
- colour green, non-marking, non-staining
- excellent chemical connection with the wheel centre

Wheel centre:

- rugged grey cast iron
- axle bore and hub keyway in accordance with DIN 6885
- lacquered, colour silver

Other features:

- high chemical resistance to many aggressive substances
- operating temperature: -30 °C to +70 °C, temporarily up to +90 °C, reduced load capacity over +40 °C

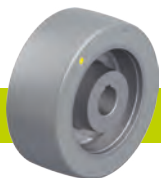
Additional details:

- wheel series: page 76
- tread: page 55
- chemical resistance: page 51

Wheels	Wheel Ø (D) [mm]	Wheel width (T2) [mm]	Load capacity at 4 km/h [kg]	Load capacity at 10 km/h [kg]	Axle bore Ø (d) [mm]	Hub keyway width (B) [mm]	Hub keyway height (H) [mm]	Hub length (T1) [mm]
GSTN 75/20H7	75	40	200	–	20 H7	6 JS9	22.8	40
GSTN 100/20H7	100	40	250	–	20 H7	6 JS9	22.8	40
GSTN 100/25H7	100	40	250	–	25 H7	8 JS9	28.3	40
GSTN 127/25H7	125	50	400	160	25 H7	8 JS9	28.3	60
GSTN 150/25H7	150	50	500	200	25 H7	8 JS9	28.3	60
GSTN 150/30H7	150	50	500	200	30 H7	8 JS9	33.3	60
GSTN 160/25H7	160	50	550	220	25 H7	8 JS9	28.3	60
GSTN 160/30H7	160	50	550	220	30 H7	8 JS9	33.3	60
GSTN 200/25H7	200	50	700	280	25 H7	8 JS9	28.3	60
GSTN 200/30H7	200	50	700	280	30 H7	8 JS9	33.3	60
GSTN 202/35H7	200	80	1,000	400	35 H7	10 JS9	38.3	80
GSTN 251/30H7	250	50	700	280	30 H7	8 JS9	33.3	60
GSTN 252/40H7	250	80	1,100	440	40 H7	12 JS9	43.3	80
GSTN 302/40H7	300	80	1,600	640	40 H7	12 JS9	43.3	80
GSTN 304/50H7	300	100	2,100	840	50 H7	14 JS9	53.8	100
GSTN 362/50H7	360	75	1,700	680	50 H7	14 JS9	53.8	75
GSTN 402/50H7	400	80	2,100	840	50 H7	14 JS9	53.8	80
GSTN 502/70H7	500	125	4,200	1,650	70 H7	20 JS9	74.9	125

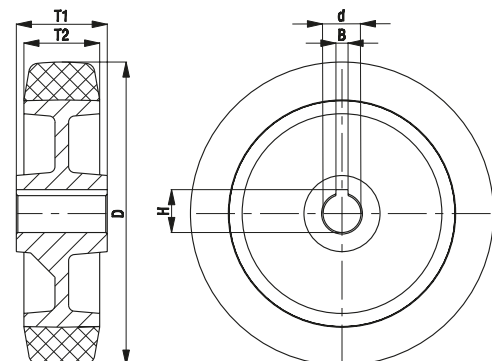
Other dimensions available upon request

Versions / options



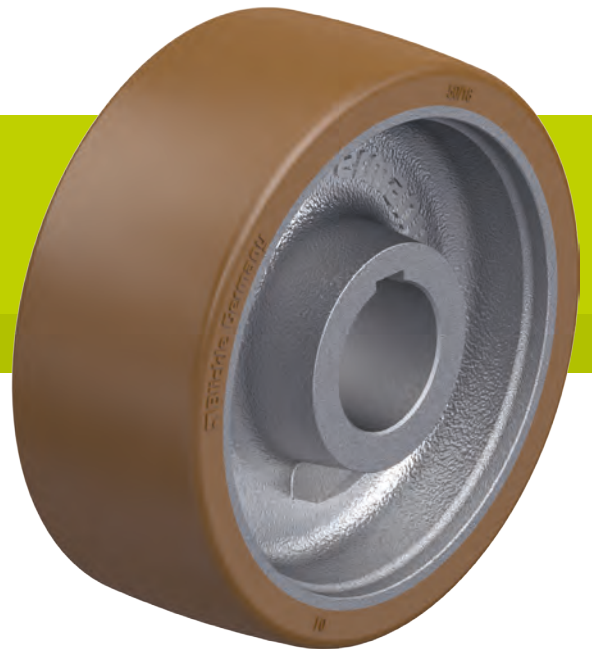
antistatic version,
non-marking grey

Technical description page	50
Product code suffix	-AS
Available for	upon request



GBN series, wheel Ø 100–250 mm

Heavy-duty drive wheels with hub keyway with **Blickle Besthane®** polyurethane tread, with cast iron wheel centre



400–2,300 kg

Tread and tyre hardness
 92 Shore A

Smooth operation / floor preservation
 good

Rolling resistance
 excellent

Wear resistance
 excellent



Tread:

- high-quality polyurethane elastomer Blickle Besthane®, hardness 92 Shore A
- very low rolling resistance
- **high dynamic load capacity**
- high abrasion resistance
- high cut and tear propagation resistance
- colour brown, non-marking, non-staining
- excellent chemical connection with the wheel centre

Wheel centre:

- rugged grey cast iron
- axle bore and hub keyway in accordance with DIN 6885
- lacquered, colour silver

Other features:

- high chemical resistance to many aggressive substances
- operating temperature: -30 °C to +70 °C, temporarily up to +90 °C, reduced load capacity over +40 °C

Additional details:

- wheel series: page 76
- tread: page 56
- chemical resistance: page 51

Wheels	Wheel Ø (D) [mm]	Wheel width (T2) [mm]	Load capacity at 4 km/h [kg]	Load capacity at 10 km/h [kg]	Load capacity at 16 km/h [kg]	Axle bore Ø (d) [mm]	Hub keyway width (B) [mm]	Hub keyway height (H) [mm]	Hub length (T1) [mm]
GBN 100/20H7	100	40	400	–	–	20 H7	6 JS9	22.8	40
GBN 100/25H7	100	40	400	–	–	25 H7	8 JS9	28.3	40
GBN 101/25H7	100	50	500	–	–	25 H7	8 JS9	28.3	60
GBN 127/25H7	125	50	650	450	260	25 H7	8 JS9	28.3	60
GBN 127/30H7	125	50	650	450	260	30 H7	8 JS9	33.3	60
GBN 150/25H7	150	50	700	490	280	25 H7	8 JS9	28.3	60
GBN 150/30H7	150	50	700	490	280	30 H7	8 JS9	33.3	60
GBN 150/35H7	150	50	700	490	280	35 H7	10 JS9	38.3	60
GBN 160/25H7	160	50	700	490	280	25 H7	8 JS9	28.3	60
GBN 160/30H7	160	50	700	490	280	30 H7	8 JS9	33.3	60
GBN 200/25H7	200	50	900	630	360	25 H7	8 JS9	28.3	60
GBN 200/30H7	200	50	900	630	360	30 H7	8 JS9	33.3	60
GBN 200/35H7	200	50	900	630	360	35 H7	10 JS9	38.3	60
GBN 200/40H7	200	50	900	630	360	40 H7	12 JS9	43.3	60
GBN 202/35H7	200	80	1,400	980	560	35 H7	10 JS9	38.3	80
GBN 202/40H7	200	80	1,400	980	560	40 H7	12 JS9	43.3	80
GBN 202/50H7	200	80	1,400	980	560	50 H7	14 JS9	53.8	80
GBN 252/40H7	250	80	1,800	1,250	650	40 H7	12 JS9	43.3	80
GBN 252/50H7	250	80	1,800	1,250	720	50 H7	14 JS9	53.8	80
GBN 253/40H7	250	100	2,300	1,600	920	40 H7	12 JS9	43.3	100
GBN 253/50H7	250	100	2,300	1,600	920	50 H7	14 JS9	53.8	100

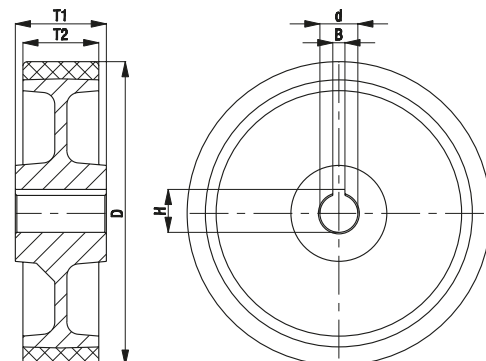
Greatly increased load capacity is possible for applications without obstacles.
 For other dimensions, please refer to the next page

Versions / options



electrically conductive version, non-marking

Technical description page	50
Product code suffix	-ELS
Available for	up to wheel Ø 250 mm upon request



GBN series, wheel Ø 300–1,000 mm

Heavy-duty drive wheels with hub keyway with Blickle Besthane® polyurethane tread, with cast iron wheel centre

2,100–25,000 kg

Tread and tyre hardness



92 Shore A

Smooth operation / floor preservation



good

Rolling resistance

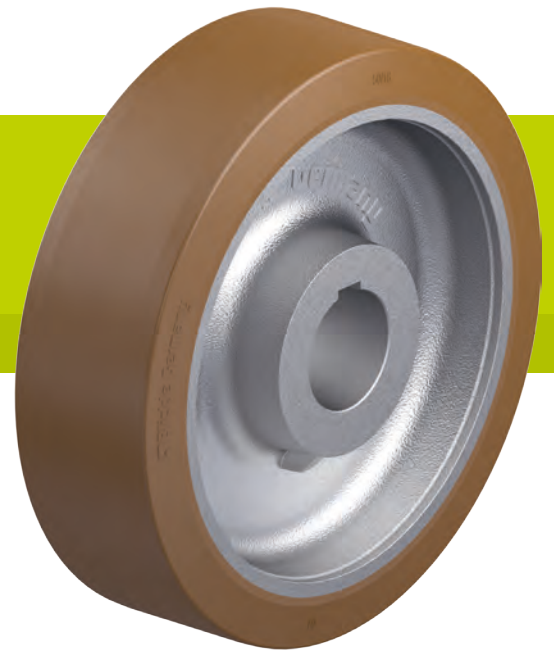


excellent

Wear resistance



excellent



Tread:

- high-quality polyurethane elastomer Blickle Besthane®, hardness 92 Shore A
- very low rolling resistance
- **high dynamic load capacity**
- high abrasion resistance
- high cut and tear propagation resistance
- colour brown, non-marking, non-staining
- excellent chemical connection with the wheel centre

Wheel centre:

- rugged grey cast iron
- axle bore and hub keyway in accordance with DIN 6885
- lacquered, colour silver

Other features:

- high chemical resistance to many aggressive substances
- operating temperature: -30 °C to +70 °C, temporarily up to +90 °C, reduced load capacity over +40 °C

Additional details:

- wheel series: page 76
- tread: page 56
- chemical resistance: page 51

Wheels	Wheel Ø (D) [mm]	Wheel width (T2) [mm]	Load capacity at 4 km/h [kg]	Load capacity at 10 km/h [kg]	Load capacity at 16 km/h [kg]	Axle bore Ø (d) [mm]	Hub keyway width (B) [mm]	Hub keyway height (H) [mm]	Hub length (T1) [mm]
GBN 302/40H7	300	80	2,100	1,450	840	40 H7	12 JS9	43.3	80
GBN 302/50H7	300	80	2,100	1,450	840	50 H7	14 JS9	53.8	80
GBN 304/40H7	300	100	2,700	1,850	1,050	40 H7	12 JS9	43.3	100
GBN 304/50H7	300	100	2,700	1,850	1,050	50 H7	14 JS9	53.8	100
GBN 304/60H7	300	100	2,700	1,850	1,050	60 H7	18 JS9	64.4	100
GBN 362/40H7	360	75	2,200	1,500	880	40 H7	12 JS9	43.3	75
GBN 362/50H7	360	75	2,200	1,500	880	50 H7	14 JS9	53.8	75
GBN 362/60H7	360	75	2,200	1,500	880	60 H7	18 JS9	64.4	75
GBN 363/70H7	360	100	3,200	2,200	1,250	70 H7	20 JS9	74.9	100
GBN 404/60H7	400	100	3,400	2,300	1,350	60 H7	18 JS9	64.4	100
GBN 404/70H7	400	100	3,400	2,380	1,360	70 H7	20 JS9	74.9	100
GBN 406/70H7	400	125	4,500	3,150	1,800	70 H7	20 JS9	74.9	125
GBN 406/80H7	400	125	4,500	3,150	1,800	80 H7	22 JS9	85.4	125
GBN 408/80H7	400	150	5,100	3,550	2,000	80 H7	22 JS9	85.4	150
GBN 500/80H7	500	100	4,500	3,150	1,800	80 H7	22 JS9	85.4	100
GBN 504/100H7	500	150	6,700	4,700	2,650	100 H7	28 JS9	106.4	150
GBN 506/120H7	500	200	9,000	6,300	3,600	120 H7	32 JS9	127.4	200
GBN 602/120H7	600	150	8,000	5,600	3,200	120 H7	32 JS9	127.4	150
GBN 604/120H7	600	200	10,000	7,000	4,000	120 H7	32 JS9	127.4	200
GBN 750/150H7	750	200	12,500	8,750	5,000	150 H7	56 JS9	158.4	200
GBN 1000/250H7	1,000	300	25,000	17,500	10,000	250 H7	56 JS9	262.4	300

Greatly increased load capacity is possible for applications without obstacles.

Other dimensions available upon request

Versions / options



electrically conductive
version, non-marking

Technical description page

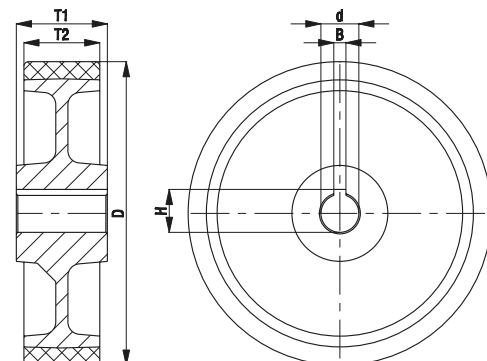
50

Product code suffix

-ELS

Available for

up to wheel Ø 300 mm
upon request



GVUN series

Heavy-duty drive wheels with hub keyway,
with Vulkollan® polyurethane tread,
with cast iron wheel centre

400–3,400 kg

Tread and tyre hardness

92 Shore A

Smooth operation / floor preservation

good

Rolling resistance

very good

Wear resistance

excellent



Tread:

- high-quality polyurethane elastomer Vulkollan®, hardness 92 Shore A
- very low rolling resistance
- **high dynamic load capacity**
- high abrasion resistance
- high cut and tear propagation resistance
- colour natural, non-marking, non-staining
- excellent chemical connection with the wheel centre

Wheel centre:

- rugged grey cast iron
- axle bore and hub keyway in accordance with DIN 6885
- lacquered, colour silver

Other features:

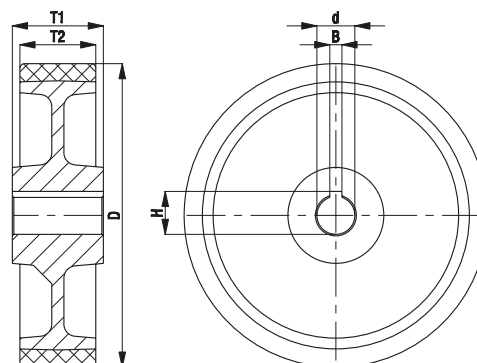
- high chemical resistance to many aggressive substances
- operating temperature: -30 °C to +70 °C, temporarily up to +90 °C, reduced load capacity over +40 °C

Additional details:

- wheel series: page 76
- tread: page 56
- chemical resistance: page 51

Wheels	Wheel Ø (D) [mm]	Wheel width (T2) [mm]	Load capacity at 4 km/h [kg]	Load capacity at 10 km/h [kg]	Load capacity at 16 km/h [kg]	Axle bore Ø (d) [mm]	Hub keyway width (B) [mm]	Hub keyway height (H) [mm]	Hub length (T1) [mm]
GVUN 100/20H7	100	40	400	–	–	20H7	6 JS9	22.8	40
GVUN 127/25H7	125	50	650	450	260	25H7	8 JS9	28.3	60
GVUN 150/30H7	150	50	700	490	280	30H7	8 JS9	33.3	60
GVUN 160/30H7	160	50	700	490	280	30H7	8 JS9	33.3	60
GVUN 200/30H7	200	50	900	630	360	30H7	8 JS9	33.3	60
GVUN 202/35H7	200	80	1,400	980	560	35H7	10 JS9	38.3	80
GVUN 252/40H7	250	80	1,800	1,250	720	40H7	12 JS9	43.3	80
GVUN 302/50H7	300	80	2,100	1,450	840	50H7	14 JS9	53.8	75
GVUN 304/60H7	300	100	2,700	1,850	1,050	60H7	18 JS9	64.4	100
GVUN 404/60H7	400	100	3,400	2,350	1,350	60H7	18 JS9	64.4	100

Other dimensions available upon request



SPKVSN series

Solid steel flanged drive wheels with hub keyway



2,500–7,000 kg

Tread and tyre hardness

190–230 HB

Smooth operation / floor preservation

sufficient

Rolling resistance

excellent

Wear resistance

excellent

Wheel:

- heat-treatable steel, hardness 190–230 HB
- lightly-oiled surface
- 3° taper tread to axle
- extremely low rolling resistance
- extremely high static and dynamic load capacity
- axle bore and hub keyway in accordance with DIN 6885

Other features:

- chemical resistance to many aggressive substances
- operating temperature: -100 °C to +600 °C, load capacity reduced by 50% at +300 °C
- the load capacities provided in the table refer to the allocation of flanged wheels to rail profiles in accordance with DIN 536 specified below (crane rail standard):
SPKVSN 200: A45
SPKVSN 250: A55
SPKVSN 300: A65

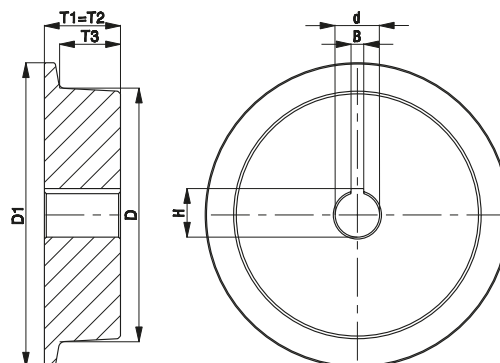
Additional details:

- wheel series: page 76
- tread: page 59
- chemical resistance: page 51

Flanged wheels

	Wheel Ø without flange (D) [mm]	Wheel Ø incl. flange (D1) [mm]	Wheel width (T2) [mm]	Running width (T3) [mm]	Load capacity [kg]	Axle bore Ø (d) [mm]	Hub keyway width (B) [mm]	Hub keyway height (H) [mm]	Hub length (T1) [mm]
SPKVSN 200/40H7	200	240	60	48	2,500	40	12 JS9	43.3	60
SPKVSN 250/50H7	250	290	75	60	4,000	50	14 JS9	53.8	75
SPKVSN 300/60H7	300	345	90	72	7,000	60	18 JS9	64.4	90

Other dimensions available upon request



PA series

Hub fitting wheels with pneumatic tyres, with pressed steel rim



250–1,300 kg

Tread and tyre hardness

60 Shore A

Smooth operation / floor preservation

excellent

Rolling resistance

good

Wear resistance

satisfactory

Tyre:

- pneumatic tyre, ribbed or zig-zag profile, hardness 60 Shore A
- 2 to 10 ply rating, with inner tube
- maximum operational comfort
- excellent floor preservation, particularly quiet operation
- colour black

Rim:

- pressed steel
- bolted or welded
- centre piece with a central hole and fitting holes
- fitting holes with domed anchor recesses
- lacquered, colour silver
- from wheel Ø 420 mm: zinc-plated, blue-passivated, Cr6-free

Other features:

- fitted using domed anchor nuts and bolts in accordance with DIN 74361
- chemical resistance to many aggressive substances, except oils
- operating temperature: -30 °C to +50 °C
- the wheel and tyre dimensions provided here apply to new tyres that are not bearing a load. Their width and diameter may change when they are in use.
- speeds up to 25 km/h with reduced load capacity

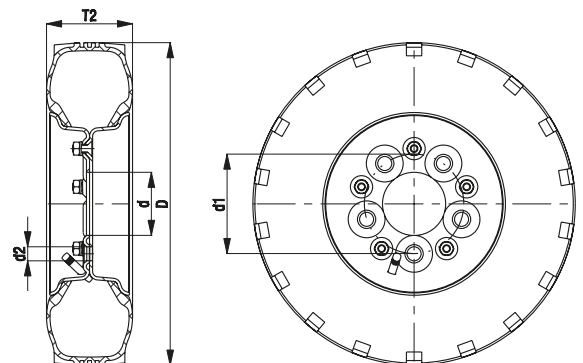
Additional details:

- wheel series: page 77
- tread: page 54
- chemical resistance: page 51

Wheels	Wheel Ø (D) [mm]	Wheel width (T2) [mm]	Tyre size	Ply rating	Load capacity at 4 km/h [kg]	Load capacity at 25 km/h [kg]	Tyre pressure [bar/psi]	Number of fitting holes	Fitting hole Ø (d2) [mm]	Central hole Ø (d) [mm]	PCD (d1) [mm]	Profile type
PA 402/4	400	100	4.00-8	2	250	100	20 / 30	4	14.5	60	100	B07
PA 412/4	400	100	4.00-8	4	350	160	35 / 50	4	14.5	60	100	B07
PA 420/4	415	115	4.00-8	4	525	300	35 / 50	4	14.5	60	100	R02
PA 430/5	420	115	4.00-8	6	650	500	70 / 101	5	18.5	82	130	B08
PA 432/5	420	115	4.00-8	8	750	600	70 / 101	5	15	82	130	B08
PA 464/5	460	145	5.00-8	8	1,140	770	70 / 101	5	18.5	82	130	B08
PA 536/5	536	165	6.00-9	10	1,300	1,050	70 / 101	5	16.5	110	145	B08

Profile types: R = ribbed profile, B = zig-zag profile, see page 248 for image

Additional fitting dimensions available upon request



VLEA series

Heavy-duty hub fitting wheels
with super-elastic solid rubber tyres,
with pressed steel rim

950–1,885 kg

Tread and tyre hardness

70 Shore A

Smooth operation / floor preservation

very good

Rolling resistance

good

Wear resistance

good

Tyre:

- super-elastic solid rubber, steel-wire reinforced, hardness 70 Shore A
- 3-component tyre, highly-elastic cushion layer, abrasion-resistant tread
- very good operational comfort
- very good floor preservation, low-noise operation
- colour black

Rim:

- heavy pressed steel
- centre piece with a central hole and fitting holes
- fitting holes with domed anchor recesses
- zinc-plated, blue-passivated, Cr6-free

Other features:

- fitted using domed anchor nuts and bolts in accordance with DIN 74361
- chemical resistance to many aggressive substances, except oils
- operating temperature: -30 °C to +80 °C, temporarily up to +100 °C, reduced load capacity over +60 °C

Additional details:

- wheel series: page 77
- tread: page 54
- bearing types: page 84–85
- chemical resistance: page 51



Wheels	Wheel Ø	Wheel width	Tyre size	Rim dimensions	Load capacity at 6 km/h	Load capacity at 25 km/h	Number of fitting holes	Fitting hole Ø	Central hole Ø	PCD
	(D) [mm]	(T2) [mm]			[kg]	[kg]		(d2) [mm]	(d) [mm]	(d1) [mm]
VLEA 410/5	405	105	4.00-8	3.00D-8	950	730	5	18.5	82	130
VLEA 460/5	455	120	5.00-8	3.00D-8	1,415	1,090	5	18.5	82	130
VLEA 530/5	525	140	6.00-9	4.00E-9	1,885	1,450	5	16.5	110	145

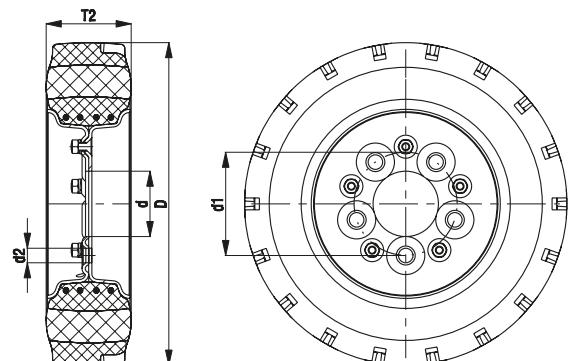
The wheel and tyre dimensions provided here apply to new tyres that are not bearing a load. The dimensions may change when they are in use.

Additional fitting dimensions available upon request

Versions / options



	with non-marking grey tyre	antistatic version, black tyres	drive wheel with hub keyway
Technical description page	52	50	
Product code suffix	-SG	-AS	VLEN series
Available for	upon request	upon request	upon request



GEVA series

Heavy-duty hub fitting wheels
with elastic solid rubber tyres,
with cast iron wheel centre

630–4,540 kg

Tread and tyre hardness

65 Shore A

Smooth operation / floor preservation

very good

Rolling resistance

very good

Wear resistance

satisfactory



Tyre:

- high-quality elastic solid rubber in smooth rolling quality, steel-wire reinforced, hardness 65 Shore A
- very good operational comfort
- very good floor preservation, low-noise operation
- low rolling resistance
- colour black

Wheel centre:

- rugged grey cast iron
- centre piece with a central hole and fitting holes
- fitting holes with domed anchor recesses
- lacquered, colour anthracite

Other features:

- fitted using domed anchor nuts and bolts in accordance with DIN 74361
- chemical resistance to many aggressive substances, except oils
- operating temperature: -30 °C to +80 °C, temporarily up to +100 °C, reduced load capacity over +60 °C
- wheel centre is approximately 4 mm wider than the specified wheel width

Additional details:

- wheel series: page 77
- tread: page 53
- bearing types: page 84–85
- chemical resistance: page 51

Wheels	Wheel Ø (D) [mm]	Wheel width (T2) [mm]	Load capacity at 4 km/h [kg]	Load capacity at 10 km/h [kg]	Load capacity at 16 km/h [kg]	Number of fitting holes	Fitting hole Ø (d2) [mm]	Central hole Ø (d) [mm]	PCD (d1) [mm]
GEVA 250/4	250	60	630	420	320	4	16.5	60	100
GEVA 252/4	250	80	810	540	410	4	16.5	60	100
GEVA 300/4	300	75	900	600	450	4	16.5	60	100
GEVA 300/5	300	75	900	600	450	5	16.5	67	112
GEVA 302/4	300	90	1,080	720	540	4	16.5	60	100
GEVA 302/5	300	90	1,080	720	540	5	16.5	67	112
GEVA 360/4	360	60	900	600	450	4	16.5	60	100
GEVA 360/5	360	60	900	600	450	5	16.5	67	112
GEVA 400/4	400	65	1,080	720	540	4	16.5	60	100
GEVA 400/5-67	400	65	1,080	720	540	5	16.5	67	112
GEVA 400/5-82	400	65	1,080	720	540	5	16.5	82	130
GEVA 402/4	400	75	1,200	800	600	4	16.5	60	100
GEVA 402/5-67	400	75	1,200	800	600	5	16.5	67	112
GEVA 402/5-82	400	75	1,200	800	600	5	16.5	82	130
GEVA 405/5	405	130	1,800	1,200	900	5	18.5	110	145
GEVA 405/6	405	130	1,800	1,200	900	6	21.5	160	205
GEVA 415/6	415	90	1,380	920	690	6	21.5	160	205
GEVA 500/6	500	85	1,560	1,050	780	6	21.5	160	205
GEVA 520/6	520	100	1,830	1,225	920	6	21.5	160	205
GEVA 620/6	620	200	4,540	3,105	2,835	6	21.5	160	205

Other dimensions available upon request

Versions / options

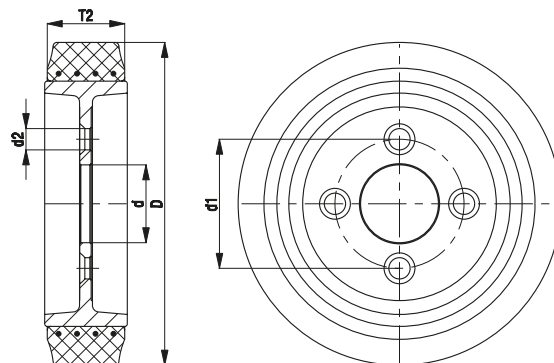


with pressed-on steel
band in drive quality

Technical description page

Product code suffix **-STA**

Available for upon request



GSTA series

**Heavy-duty hub fitting wheels
with Blickle Softhane® polyurethane tread,
with cast iron wheel centre**



700–2,500 kg

Tread and tyre hardness

75 Shore A

Smooth operation / floor preservation

very good

Rolling resistance

very good

Wear resistance

very good



Tread:

- high-quality polyurethane elastomer Blickle Softhane®, hardness 75 Shore A
- extra-thick elastic tread for excellent operational comfort
- very good floor preservation, low-noise operation
- low rolling resistance
- high abrasion resistance
- high cut and tear propagation resistance
- colour green, non-marking, non-staining
- excellent chemical connection with the wheel centre

Wheel centre:

- rugged grey cast iron
- centre piece with a central hole and fitting holes
- fitting holes with domed anchor recesses
- lacquered, colour silver

Other features:

- fitted using domed anchor nuts and bolts in accordance with DIN 74361
- high chemical resistance to many aggressive substances
- operating temperature: -30 °C to +70 °C, temporarily up to +90 °C, reduced load capacity over +40 °C

Additional details:

- wheel series: page 77
- tread: page 55
- bearing types: page 84–85
- chemical resistance: page 51

Wheels	Wheel Ø	Wheel width	Load capacity at 4 km/h	Load capacity at 10 km/h	Number of fitting holes	Fitting hole Ø	Central hole Ø	PCD
	(D) [mm]	(T2) [mm]	[kg]	[kg]		(d2) [mm]	(d) [mm]	(d1) [mm]
GSTA 200/4	200	50	700	280	4	16.5	60	100
GSTA 250/4	250	60	800	320	4	16.5	60	100
GSTA 252/4	250	80	1,100	440	4	16.5	60	100
GSTA 302/5	300	80	1,600	640	5	16.5	67	112
GSTA 404/6	400	100	2,500	1,000	6	21.5	160	205

Other dimensions available upon request

Versions / options

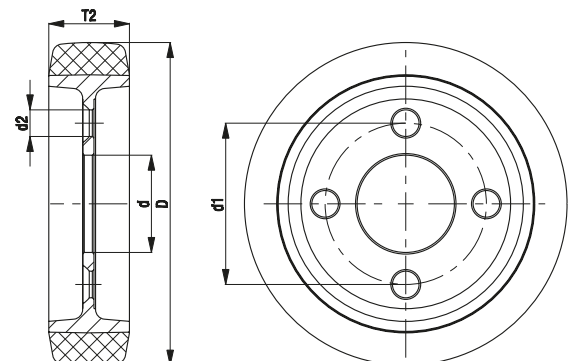


antistatic version,
non-marking grey

Technical description page 50

Product code suffix **-AS**

Available for upon request



GBA series

Heavy-duty hub fitting wheels
with Blickle Besthane® polyurethane tread,
with cast iron wheel centre



900–3,400 kg

Tread and tyre hardness

92 Shore A

Smooth operation / floor preservation

good

Rolling resistance

excellent

Wear resistance

excellent



Tread:

- high-quality polyurethane elastomer Blickle Besthane®, hardness 92 Shore A
- very low rolling resistance
- **high dynamic load capacity**
- high abrasion resistance
- high cut and tear propagation resistance
- colour brown, non-marking, non-staining
- excellent chemical connection with the wheel centre

Wheel centre:

- rugged grey cast iron
- centre piece with a central hole and fitting holes
- fitting holes with domed anchor recesses
- lacquered, colour silver

Other features:

- fitted using domed anchor nuts and bolts in accordance with DIN 74361
- high chemical resistance to many aggressive substances
- operating temperature: -30 °C to +70 °C, temporarily up to +90 °C, reduced load capacity over +40 °C

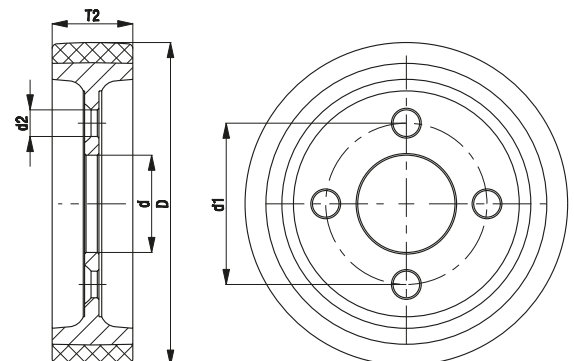
Additional details:

- wheel series: page 78
- tread: page 56
- bearing types: page 84–85
- chemical resistance: page 51

Wheels	Wheel Ø	Wheel width	Load capacity at 4 km/h	Load capacity at 10 km/h	Load capacity at 16 km/h	Number of fitting holes	Fitting hole Ø	Central hole Ø	PCD
	(D) [mm]	(T2) [mm]	[kg]	[kg]	[kg]		(d2) [mm]	(d) [mm]	(d1) [mm]
GBA 200/4	200	50	900	630	360	4	16.5	60	100
GBA 250/4	250	60	1,300	910	520	4	16.5	60	100
GBA 252/5	250	80	1,600	1,100	640	5	16.5	67	112
GBA 302/5	300	90	2,100	1,450	840	5	16.5	67	112
GBA 404/6	400	100	3,400	2,350	1,350	6	21.5	160	205

Greatly increased load capacity is possible for applications without obstacles.

Other dimensions available upon request



VSVU series

Heavy-duty wheels with Vulkollan® tread, with cast iron wheel centre

700–2,400 kg

Tread and tyre hardness

92 Shore A

Smooth operation / floor preservation

good

Rolling resistance

very good

Wear resistance

excellent



Tread:

- high-quality polyurethane elastomer Vulkollan®, hardness 92 Shore A
- low rolling resistance
- **high dynamic load capacity**
- high abrasion resistance
- high cut and tear propagation resistance
- colour natural, non-marking, non-staining
- excellent chemical connection with the wheel centre

Wheel centre:

- heat-treatable steel
- clamping surface on both sides for mechanical processing

Other features:

- please note the following in terms of the mechanical processing of the base wheels:
 1. the temperature of the wheel must not exceed 90 °C
 2. the wheel must be fixed using the clamping surface provided
 3. any change to the tread will reduce the load capacity of the wheel
- high chemical resistance to many aggressive substances
- operating temperature: -30 °C to +70 °C, temporarily up to +90 °C, reduced load capacity over +40 °C

Additional details:

- wheel series: page 78
- tread: page 56
- chemical resistance: page 51

Wheels	Wheel Ø (D) [mm]	Wheel width (T2) [mm]	Load capacity at 4 km/h [kg]	Load capacity at 10 km/h [kg]	Load capacity at 16 km/h [kg]	Axle bore Ø (d) [mm]	Hub length (T1) [mm]	Internal clamping surface (N1) [mm]	External clamping surface (N2) [mm]
VSVU 127/20H7	125	50	700	490	280	20 H7	50	70	90
VSVU 150/20H7	150	50	800	560	320	20 H7	50	80	100
VSVU 160/20H7	160	50	800	560	320	20 H7	50	90	110
VSVU 200/20H7	200	50	1,000	700	400	20 H7	50	110	150
VSVU 202/20H7	200	80	1,600	1,150	640	20 H7	80	110	150
VSVU 251/25H7	250	50	1,250	870	500	25 H7	50	150	190
VSVU 252/25H7	250	80	1,800	1,250	720	25 H7	80	150	190
VSVU 302/30H7	300	80	2,400	1,650	960	30 H7	80	150	230

Other dimensions available upon request

Versions / options



individual turning (H7) wheel with clamping set

Technical description page

Product code suffix

Available for

upon request

upon request

